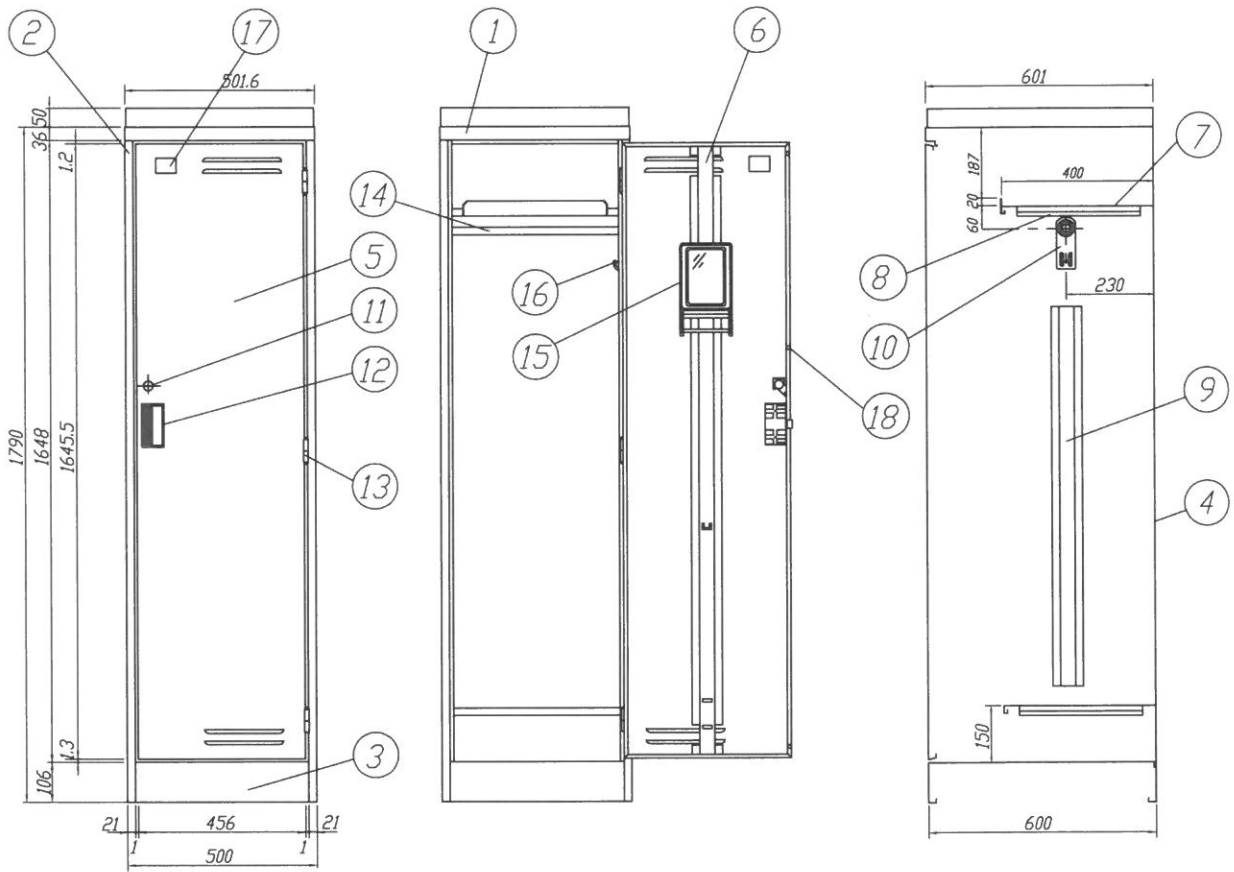
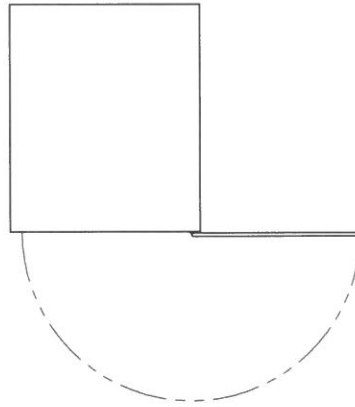


WARD ROBE

RIGHT HINGE

WREN_W500D600R

TITLE.



⑨	SIDE PANEL REINFORCEMENT	⑬	HINGE
⑧	SHELF HOLDER	⑭	HANGER PIPE
⑦	SHELF (WITH STOPPER)	⑮	MIRROR
⑥	DOOR REINFORCEMENT	⑯	RUBBER CUSHION
⑤	DOOR	⑰	NAME CARD
④	BACK PANEL	⑱	COAT HOOK
③	BOTTOM PANEL	⑲	COAT HOOK HOLDER & PIPE HOLDER
②	SIDE PANEL	⑳	COAT HOOK HOLDER & PIPE HOLDER
①	TOP PANEL	㉑	HIROYOSHI ORIGINAL HANDLE LATCH
MARK	NAME	MARK	NAME
	MATERIAL		MATERIAL